

OPTICS



GECO - ALL YOU NEED



WELCOME TO THE WORLD OF GECO OPTICS!

Gustav Genschow & Co. (GECO) started selling binoculars under the GECO brand back in the 1930s. Following on from this tradition, GECO today offers binoculars and riflescopes in the highest optical and mechanical quality at a uniquely unbeatable price. They are focused and adapted to the most exacting demands of hunters, sports shooters and nature lovers and can be used anywhere, true to the motto:

„GECO - ALL YOU NEED“.

GECO

GECO offers the ideal introduction to the field of high-quality riflescopes and observation optics. A modern design, the use of selected materials and a level of optical and mechanical quality and performance that is unparalleled in this price class define a new standard. Despite their

extremely compact and lightweight form, technical precision coupled with practical suitability for hunting and durability were the priorities during their development. With their focus on what is essential, these products are the perfect companions in any hunting situation.

GECO GOLD

GECO Gold optics stand for the highest levels of quality and performance. State-of-the-art coating technologies combined with the use of special types of glass and other high-quality materials define this portfolio of optical products with their outstanding performance characteristics. Transmission values, fields of view, edge definition and

exit pupils compare favorably with premium class optics. Optimum ergonomics and an extremely compact and lightweight design are combined with the unrivalled value for money that GECO is renowned for. GECO Gold products stand for maximum reliability in any hunting situation.

GECO BLACK

GECO Black optics take the extremely high optical quality standard of GECO Gold one step further. They also offer unbeatable value for money that is unparalleled in this class. These products were especially developed for sporting and tactical shooting. High zoom ratios, ballistic solu-

tions, reticles in the 1st image plane and a central tube diameter of up to 34 mm define this class of very compact products. All the optical elements have a lens thread and are supplied with a flip cover as standard.



GECO BINOCULARS



The binoculars in the GECO range offer the perfect introduction to high-quality observation optics with unbeatable value for money. The slimline, ergonomic design has been combined with high-quality materials. The entire housing is made of magnesium. Thanks to ED glass, multi-layer coating and adjusted optical calculation, they offer wide fields of view, high edge definition and excellent transmission values as well as a shortened close focus. Their ruggedness, low weight and optical performance make them unrivalled representatives of their type.

All models come with a tripod mount, carry strap and hard case.



8x32 / 10x32

The perfect companion for virtually every observation scenario. Extreme compactness and low weight make for optimum handling. Their optics deliver razor-sharp images in good ambient light.



8x42 / 10x42

Thanks to a wide field of view, they offer an excellent overall view coupled with a steady image. A greater lens diameter, ED glass and GECObright multi-layer coating create sufficient light reserves for use into advanced twilight.



8x56 / 10x56

Both powerful and effective. The compact and lightweight design combined with the very large field of view and the large exit pupil makes spotting relaxed and comfortable. The high transmission values create bright and high-contrast images for hunting till nightfall.

Order Number	Colour	Order Number	Colour	Model	Exit pupil	Field of view at 100m	Close focus	Overall length	Weight
241 42 55	Green	240 37 24	Black	8x32	4	136 m	2	125 mm	500 g
241 42 56	Green	240 37 25	Black	10x32	3,28	105 m	2,5	125 mm	500 g
241 42 57	Green	240 37 26	Black	8x42	5,25	142 m	2	145 mm	670 g
241 42 58	Green	240 37 27	Black	10x42	4,2	113 m	2,5	145 mm	670 g
241 42 59	Green	240 37 28	Black	8x56	7	129 m	2,3	192 mm	1.200 g
241 42 60	Green	240 37 29	Black	10x56	5,6	114 m	2,5	192 mm	1.200 g

GECO RED DOT SIGHTS



GECO Red dot sights have been specially developed for the challenges faced when hunting fast-moving game and for dynamic sport shooting disciplines. The wide field of view facilitates quick and intuitive target acquisition. The scratch-resistant and coated lenses enable use even under the most difficult conditions. The finely dimmable illuminated dot, lightweight construction, high-quality materials and sophisticated design round off the high quality of the GECO red dot sights.



Red Dot 1x20

The ideal companion for driven hunts on difficult terrain. The finely dimmable illuminated dot with a diameter of 2 MOA facilitates quick, intuitive and reliable target acquisition in every situation. The built-in weaver mount means the GECO Red Dot can be attached quickly and easily.



Red Dot 1x20 Gen II

The new, waterproof GECO Red Dot 1x20 Gen II is a reliable companion for driven game hunts in any weather. The sight comes standard with clear flip-up covers so that a clear view can be had at any time. The adjustable 2 MOA red dot, which has 11 settings, helps to define the target quickly – even under difficult lighting. With low-energy technology and integrated Weaver base.



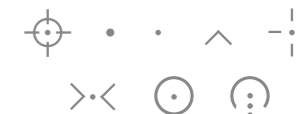
Open Red Dot Sight

The new GECO Open Red Dot Sight is exceptionally compact, lightweight and at the same extremely robust. Thanks to the wide field of view, it is the perfect companion for hunting with an air rifle for targets at short to medium-range distances, with intuitive targeting. The fine 2 MOA dot is adjustable to six brightness levels. The specially coated and scratch-resistant glass lens prevents reflections. Exceedingly user-friendly battery replacement on the side compartment even when mounted.



MultiDot

The GECO MultiDot is a robust and exceptionally flexible red dot sight. It has the capacity to switch between 8 different reticles (3 or 10 MOA dot, circle dot, etc.) in either green or red without having to zero in again. There are 5 brightness settings, and the batteries are accessible from the side even when mounted. The integrated quick-release mount allows for fast mounting on Weaver/Picatinny rails.



Order Number	Model	Reticle	Field of view at 100m	Tube Ø / Objective lens size	Overall length	Weight
231 92 19	Red Dot 1x20	2 MOA Dot	100 m	30 mm	67 mm	130 g
241 07 26	Red Dot 1x20 Gen II	2 MOA Dot	100 m	20 mm	68 mm*	112 g
241 33 18	Replacement-flip-up-covers for Red Dot 1x20 Gen II					
240 71 55	Open Red Dot Sight	2 MOA	100 m	19x23 mm	46 mm	30 g
240 71 56	MultiDot	changing reticle	100 m	33x24 mm	95 mm	260 g

*with flip-up-covers: 82 mm



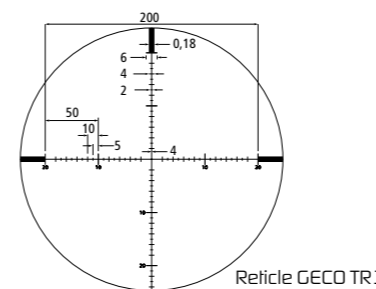
GECO RIFLE SCOPES



The wide range of GECO rifle scopes offers a rifle scope for practically every imaginable situation. From stalking to hunting from a blind to driven hunts, from daytime to dusk and even nighttime hunting, but also for long range and sports shooting. **The range includes riflescopes with 3x, 4x and 5x zoom, leaving little to be desired.**

The 3x zoom rifle scopes catch the eye with their slender 1" tube diameter and extremely compact length and low weight. The optics from this range are excellently suited to be mounted on older mounts or weapons with a narrow build. The excellent optical quality is reflected in the very good fields of view and high transmission values. Large objective lens diameters ensure sufficient light reserves that extend into twilight. The illuminated GECOdol with automatic shut-off and the integrated GECOtrac target turret are unique features in this class.

The 4x zoom rifle scopes have a tube diameter of 30mm and stand out thanks to their optical performance specs for transmission, field of view and exit pupil. With the 3-12x56 and the 6-24x50, the range includes two absolute classics with outstanding performance specs for this price class.



The 5x zoom riflescopes with a tube diameter of 30 mm stand out for their optimized zoom factor and thus increased flexibility and versatility without sacrificing their high optical performance.



3-9x42 / 40i

Higher magnification renders precise shooting over long distances. Thanks to the large lens diameter and illuminated reticle, it is also ideal in adverse lighting conditions.



4-12x42 / 50i

This all-rounder has proven its worth for decades and is extremely compact and easy to handle, making it ideal for stalking or sitting game. Thanks to its illuminated reticle and greater lens diameter, it is also suitable for twilight hunting.



3-12x56 / 56i

The classic all-rounder for hunting from a blind and nighttime hunting. Its 56 mm objective lens diameter, high transmission, and illuminated reticle offer increased reliability, even in extremely unfavorable light conditions.



6-24x50

The specialist for long distances. Its high magnification is perfect for accurate shooting at long distances. This is supported by the GECOTR1 reticle and the high optical performance allows the recognition of even the finest details at long distances.



1-5x24i

The perfect companion for driven hunts. Its large field of view ensures that the shooter always has the ideal overview and provides increased safety. The 5x zoom enables fast shooting even at long distances.



3,5-18x56i

This riflescope ensures that you are always ready for near or far shots. Even in unfavorable lighting, thanks to its large lens diameter and the illuminated reticle. The focus here is on its flexibility and high optical performance.

Order number	Model	Reticle	Zoom factor	Field of view at 100m	Central tube ø	Overall length	Weight
240 37 11	3-9x42	Plex	3-x	15,0 – 5,5 m	1"	300 mm	400 g
240 37 13	3-9x40i	4	3-x	12,0 – 4,0 m	1"	317 mm	428 g
240 37 14	4-12x42	Plex	3-x	11,0 – 4,5 m	1"	310 mm	390 g
240 37 15	4-12x50i	4	3-x	9,0 – 3,0 m	1"	336 mm	516 g
240 64 72	3-12x56	4	4-x	12,5 – 3,0 m	30 mm	340 mm	674g
240 64 75	3-12x56i	4	4-x	12,5 – 3,0 m	30 mm	340 mm	674 g

Order number	Model	Reticle	Zoom factor	Field of view at 100m	Central tube ø	Overall length	Weight
240 64 71	6-24x50	TR1	4-x	5,6 – 1,5 m	30 mm	362 mm	750 g
240 64 76	1-5x24i	4	5-x	37,0 – 6,0 m	30 mm	260 mm	550 g
240 64 77	3,5-18x56i	4	5-x	11,8 – 2,2 m	30 mm	335 mm	785 g



GECO GOLD RIFLE SCOPES



The GECO Gold riflescopes combine high zoom ratios with outstanding optical performance. They offer flexible use in virtually any hunting situation and in the most adverse lighting conditions, delivering excellent performance in terms of transmission, field of view and exit pupil. This is made possible by the use of state-of-the-art multi-layer coatings and optical calculations. Apart from the fine GECOdot illuminated dot, emphasis was placed on a large adjustment range and tool-free resetting together with an integrated GECOtrac target turret.

The extremely compact form is made from high-quality materials and includes an integrated lens thread. The high level of quality and reliability is reflected in the 10-year guarantee.



1-6x24i

The specialist for drive or big game hunting. Its wide field of view ensures fast and reliable target acquisition. The 6x zoom also makes precise, medium-distance shooting possible.



2,5-15x50i / 56i

The all-rounder for virtually any hunting scenario. Thanks to parallax adjustment, the zoom ratio and field of view enable use ranging from drive hunting to precise distance shooting. A large lens diameter offers maximum accuracy in even the most adverse conditions.



1-8x24i

This all-rounder covers the full range: from drive hunting to long-distance shooting. Maximum zoom ratio, wide field of view, fine illuminated dot and large exit pupil offer maximum accuracy.

Order number	Model	Reticle	Zoom factor	Field of view at 100m	Central tube ø	Overall length	Weight
240 37 18	1-6x24i	4	6-x	38,0-6,0 m	30 mm	269 mm	530 g
240 37 19	2,5-15x50i	4	6-x	14,4-2,5 m	30 mm	381mm	700 g
240 37 20	2,5-15x56i	4	6-x	15,0-2,5 m	30 mm	381mm	780 g
240 37 21	1-8x24i	4	8-x	36,0-4,5 m	30 mm	273 mm	610 g

GECO GOLD BINOCULARS



The binoculars in the GECO Gold line are members of the absolute premium class. HD glass optical design combined with state-of-the-art multi-layer coating results in outstanding optical performance in terms of transmission, edge definition, close focus and colour reproduction. Thanks to the GECOdrop hydrophobic coating, all optics are dirt- and water-repellent. The innovative microbridge results in a high-quality and particularly ergonomic design. A magnesium housing, a coated magnesium bridge and high-quality aluminium adjustable eyecups render maximum ruggedness with minimum weight. Dioptr adjustment has been integrated into the central focusing wheel. If you are looking for uncompromising quality in binoculars with very good value for money, look no further.

All models come with a tripod mount, carry strap, hard case and a 10-year guarantee.



8,5x50 / 10x50 / 12,5x50

Thanks to a good field of view, large exit pupil and HD glass, they deliver extremely bright, sharp and high-contrast images even in the most adverse lighting conditions. This enables observation and response over large distances, resulting in an impressive and unforgettable visual experience.



8x42 / 10x42

The products combine compactness and low weight with top-quality optical performance. They are the optimum companion for sitting, drive or stalking hunts. Thanks to the extremely short close focus, they ensure unforgettable perceptions of nature at even the shortest of distances.

Order number	Model	Exit pupil	Field of view at 100m	Close focus	Overall length	Weight
240 37 30	8x42	5,25	125 m	2	156 mm	830 g
240 37 31	10x42	4,2	112 m	2	156 mm	840 g
240 37 32	8,5x50	5,9	105 m	3	175 mm	940 g
240 37 33	10x50	5	103 m	3	175 mm	960 g
240 37 34	12,5x50	4	95 m	3	175 mm	965 g



GECO BINOCULAR RF



The GECO RF stands out not only because of its outstanding optics, but also due to its precise and reliable built-in rangefinder and its rock-solid ballistics. The magnesium housing and the high-grade aluminum eye cups make this binocular very robust, and therefore a natural companion

for nature lovers. The GECO 10x50 RF unites top-grade optics with first-class laser technology at an attractive price. The GECO 10x50 RF comes already equipped with a carry strap and a hard case.



10x50 RF

The GECO 10x50 RF pairs a magnesium housing with a robust and shock-absorbing rubber armor so that it can offer an optimal protection for sensitive optical and electronic elements as well as moving parts. With the use of high-quality HD optics in combination with cutting edge multiple lens coatings, top performance in light transmission, field of

view, edge sharpness and color fidelity are achieved. The distance to all objects from 10 to 1600 meters away can be simply and reliably determined at the touch of a button. In addition, the GECO RF can measure both angle of elevation (and corrected distance using the integrated ballistics calculator) and temperature.

Order number	Model	Color	Exit pupil	Field of view at 100m	Close focus	Overall length	Max. Width	Measuring range	Weight
241 42 61	10x50 RF	Green	5	110 m	3	160 mm	130 mm	10 m - 1.600 m	1.000 g
240 64 79	10x50 RF	Black	5	110 m	3	160 mm	130 mm	10 m - 1.600 m	1.000 g

NEW

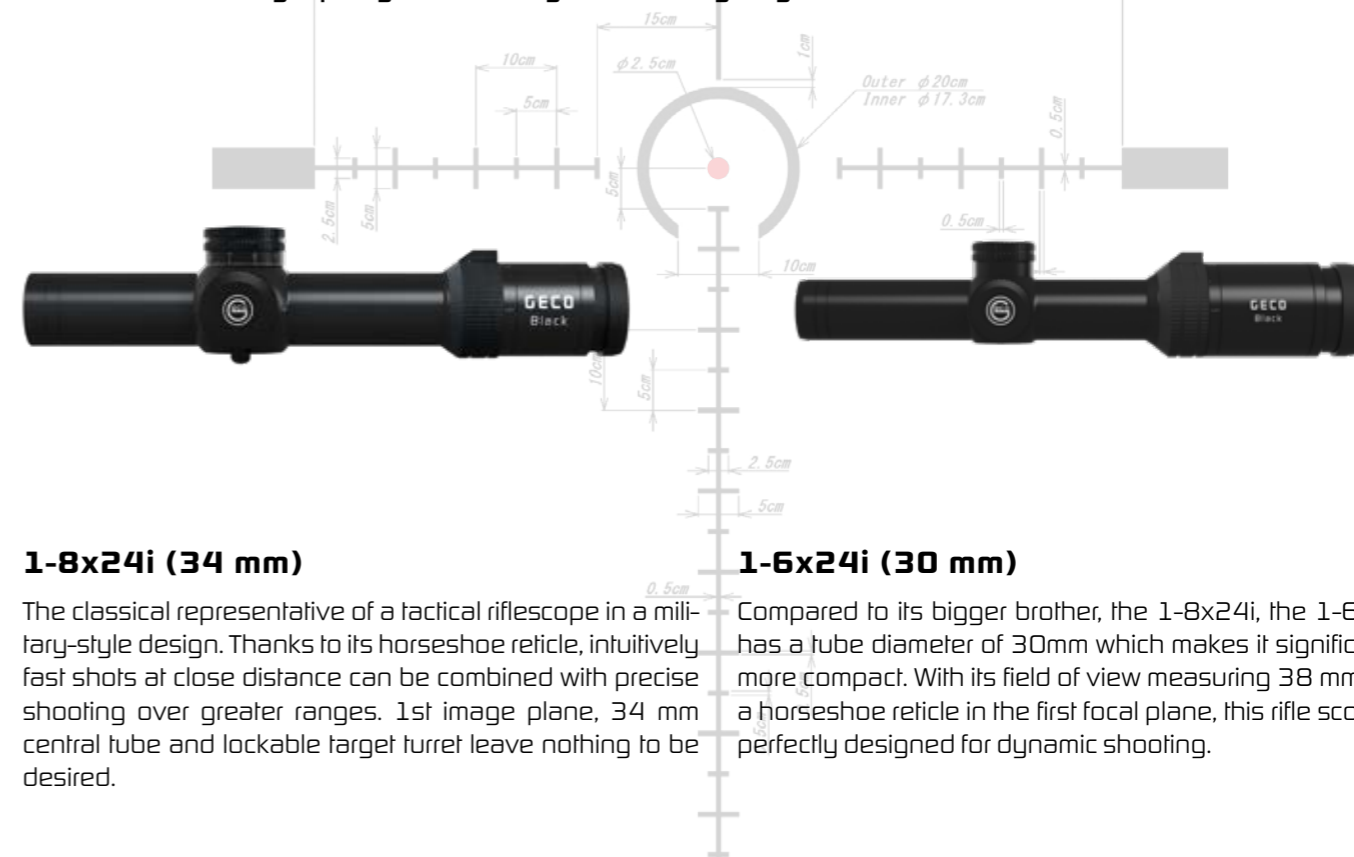


GECO BLACK RIFLESCOPES



This class includes and 6x and 8x zoom with a 30mm and 34mm tube. It mirrors the outstanding optical performance specs of the GECO GOLD line, but was developed specifically for tactical and dynamic shooting. That includes high adjustment travel, the illuminated reticle in the first focal plane, the integrated target turret, as well as the included flip cover.

You can be sure of high quality and reliability with our 10-year guarantee.



1-8x24i (34 mm)

The classical representative of a tactical riflescope in a military-style design. Thanks to its horseshoe reticle, intuitively fast shots at close distance can be combined with precise shooting over greater ranges. 1st image plane, 34 mm central tube and lockable target turret leave nothing to be desired.

1-6x24i (30 mm)

Compared to its bigger brother, the 1-8x24i, the 1-6x24i has a tube diameter of 30mm which makes it significantly more compact. With its field of view measuring 38 mm and a horseshoe reticle in the first focal plane, this rifle scope is perfectly designed for dynamic shooting.

Order number	Model	Reticle	Zoomfactor	Field of view at 100m	Central tube ø	Overall length	Weight
240 37 22	1-8x24i TAC	Horseshoe	8-x	35,0 - 4,4 m	34 mm	273 mm	770 g
240 37 23	1-6x24i	Horseshoe	6-fach	38,0 - 6,3 m	30 mm	269 mm	550 g



GECO - ALL YOU NEED



HD glass for images with maximum brilliance



ED glass for razor-sharp images



Extended field of view for optimum observation



Lightweight, rugged magnesium housing



Eyecups made from highest-quality aluminium



Reticle in the first image plane for tactical shooting



34mm central tube diameter for large adjustment ranges



Tactical turret for fast and accurate bullet drop compensation



Tool-free resetting for ultra-fast locking



Extremely ergonomic thanks to the microbridge



Central focusing with integrated dioptre adjustment makes handling easy



Lightweight construction for optimum handling



Hard-shell carry case for maximum protection during transport



5-year guarantee (warranty on electronic components limited to 24 months)



10-year guarantee (warranty on electronic components limited to 24 months)



GECObright – maximum transmission in even the most adverse lighting conditions



GECODrop – dirt- and water-repellent, hydrophobic coating for clear sight



GECODot – intelligent automatic shutoff for maximum energy efficiency



GECOcontrol – intelligent automatic shutoff for maximum energy efficiency



GECOfrac – height elevation and target turret in one for clear sight



GECO TR1 – Accurate long-range shooting without reticle adjustments

Reserve technical changes

GECO is a registered trademark of
RUAG Ammotec, a RUAG Group Company
RUAG Ammotec - Fürth, Germany