

SpecterDR 1.5 - 6x Dual-Field-of-View Optical Sight Operation Manual



ARMAMENT TECHNOLOGY INCORPORATED
3045 ROBIE STREET, SUITE 113
HALIFAX NS B3K 4P6 CANADA
sales@armament.com
www.armament.com

TABLE OF CONTENTS

CHAPTER	1	DESCRIPTION, DATA AND OPERATION.....	Page 2
		1.1 Description	Page 2
		1.2 Technical Data	Page 3
		1.3 Location of Controls.....	Page 4
CHAPTER	2	QUICK START	Page 6
		2.1 Mounting	Page 6
		2.2 DFOV Operation	Page 6
		2.3 1.5x – 6x Operation	Page 7
		2.4 Zeroing.....	Page 8
		2.5 Reticle Illumination.....	Page 8
		2.6 Combat Targeting Modes.....	Page 9
		2.7 Changing the Battery	Page 9
CHAPTER	3	OPERATION.....	Page 10
		3.1 General	Page 10
		3.2 Installation	Page 10
		3.3 Method of Adjustment	Page 10
		3.4 Dry Zeroing or Initial Alignment.....	Page 10
		3.5 Zeroing.....	Page 11
		3.6 Reticle & Ranging.....	Page 13
CHAPTER	4	MAINTENANCE.....	Page 15

GENERAL DESCRIPTION & SPECIFICATIONS

1.1 Description

The **SpecterDR 1.5x - 6x** Optical Sight (Figure 1-1) is a fast switching dual 1.5x and 6.0x fixed optical power telescopic weapon sight which mounts on a MIL-STD-1913 'Picatinny' rail. The optical sight consists of single main housing that includes the dual field of view optics and the integral mount assembly. This design places all of the optics in a sealed, hardened optical housing protected from the environment. All mechanical adjustments of the sight are controlled by the elevation and azimuth zeroing mechanisms in the mount assembly.

The optical housing has a 42mm objective lens and a 7mm diameter exit pupil, which provides excellent vision in low light levels. It also provides for rapid target acquisition and identification at short, intermediate, and long ranges. The sight incorporates LED's for red dot and reticle illumination under CQB or low light conditions. The ballistically compensated reticle consists of a cross hair with horizontal stadia lines for shooting at various ranges.

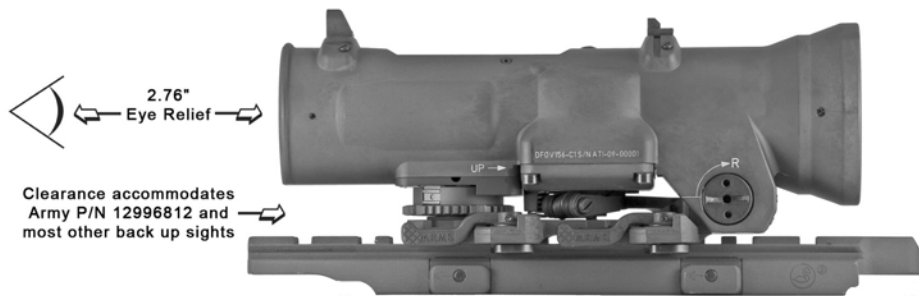
A Vertical Subtention Optical Rangefinder (VSOR) is incorporated within the field of view. The optical sight has no internal surfaces that will reflect laser interrogation. The exterior includes heavy rain / emergency aiming features on top of the optical housing and incorporates a hard-anodized external finish.



Figure 1-1 Selected Overall Views

The mount has two levers which fasten the sight to the 'Picatinny' rail and allow the sight to be removed and reattached without the need to re-zero. The mount is adjustable for zero in both elevation and azimuth (windage).

The mount is designed to withstand rough usage in operation. Anti-backlash springs in the elevation and azimuth mechanisms permit flexibility, but always return the sight to the zero position. A tension spring between the optical main body and the mount rail grabber removes vertical movement by applying tension to the two halves of the mount.



1.2 Technical Specifications (Nominal)

Specification				
Fixed Magnification(s)	1.5X	6.0X	Backup Iron Sights	Yes, Modular
Field of View	16°	4°	Aiming Point	1.5 MOA / 6 MOA Dot
Entrance Optic Diameter	42 mm		Reticle Pattern	Ballistic compensated crosshair
Exit Pupil	8.0 mm		Illumination	LED
Eye Relief	70mm"		Operating Temp	-40 to +65 °C
Optical Axis Height	39mm		Storage Temp	-40 to +85 °C
Zeroing Range	±60 MOA		Submersion	>2 hours @ 66 ft
Zeroing Click Size	½ MOA		Salt Fog	>40 hrs. @ 5%
Mount Compatibility	MIL-STD 1913		Chemical	NBC & Cleaning
Mount Attachment	A.R.M.S. Levers		Battery / Life	DL 1/3 N (3000hrs Avg)
Weight With Mount	700g		Battery Cover	Lanyard Retained
Length, Width, Height	183mm x 75mm x 67mm		Finish	Hard Anodized (Class III)

1.3 SpecterDR Controls and Terminology

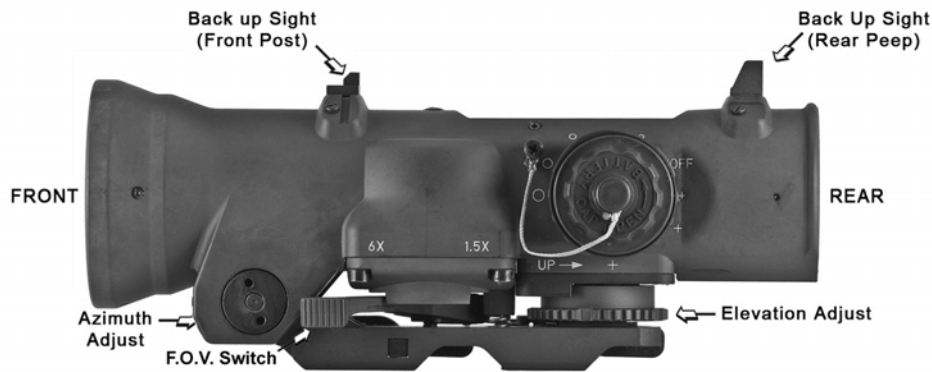


Figure 1-2 Left Side View and Selected Controls

1.3.1 Back-Up Iron Sights

Integral Back-Up Iron Sights are located on the top of the **SpecterDR 1.5x - 6x**. These sights can be removed and replaced should they ever become damaged or need to be re-positioned off the vertical axis. These sights consist of a 5 mm diameter peep rear sight and a 2.5 mm wide post front sight. The sights are intended for use in heavy rain and emergency defence situations. The back up iron sight axis is parallel to the sight optical axis and does not require separate zeroing.

1.3.2 Battery Cap and Lanyard

The fluted battery cap sits on top of the Illumination Rotary Switch. It can be removed by hand by unscrewing it counter clockwise (CCW). A lanyard is attached at the top of the battery cap to prevent its loss when changing the battery. The battery cap should only be tightened by hand until snug so that it can later be removed by hand.

1.3.3 Mount Locking Lever(s)

The locking lever(s) are used to secure the sight to the weapon's "Picatinny" rail. **SpecterDR 1.5x - 6x** uses 2 ARMS type low profile locking levers that point rearward when locked. The mount base also provides for additional tie/wire wrap points so that the ARMS levers can be locked in place if desired.

1.3.4 Elevation Zeroing Dial

The zero dial is located at the lower rear of the mount. This dial allows for elevation zeroing only while the elevation zeroing lock is disengaged.

1.3.5 Elevation Zeroing Lock

The elevation zeroing lock (silver tab) is located just above the elevation zeroing dial. It is only used during elevation zeroing. Move the lock UP to permit ½ MOA per click elevation zeroing. Move the lock DOWN to lock the elevation zero.

Important: To prevent damage **be sure** that the lock is **fully disengaged** before attempting to turn the elevation zeroing dial.

1.3.6 Azimuth Reference

The front yoke on the sight housing has space gaps between the yoke and the mount base plate. When each of the two gaps shows equal spacing, the sight is roughly at azimuth centre. Figure 2-4

1.3.7 Azimuth (Windage) Adjustment Screw

The azimuth adjustment screw is located at the front right side of the mount. It is rotated to left or right to change the Mean Point of Impact (MPI) of the bullets. A coin or rim of a cartridge case can be used to turn the adjustment screw. Rotate the screw clockwise to move the point of impact to the right. Rotate the screw counter clockwise to move the point of impact to the left. Each 'click' moves the point of impact ½ Minute of Angle (MOA) (approximately ½" at 100 yards).

1.3.8 Reticle Illumination Knob

Rotation of the knob illuminates the reticle at varying levels of brightness. Reference marks on the housing indicate the operating positions of the switch

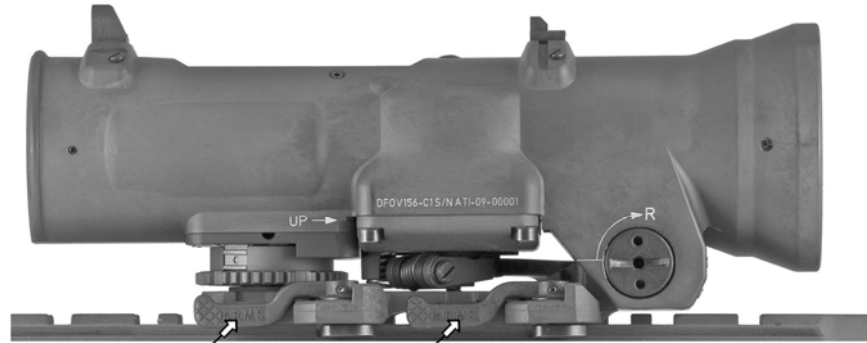
1. Counter Clockwise from off, illuminates the Red Dot with 5 intensity levels – 2 for Night Vision equipment use, and 3 for low light and daytime use.
2. Clockwise from off, illuminates the ballistic reticle with 5 intensity levels - 2 for Night Vision equipment use, and 3 for low light use.

NOTE: The SpecterDR is designed for use with forward mounted night vision such as the AN/PVS-22

2.1 Mounting

Ensure the weapon is unloaded.

Loosen the mount lever locks and place the sight onto the rail. Adjust the eye relief as per instructions in section 2.2. Once correct eye relief is set, tighten the mount levers to lock the sight to the rail. Slots permit installation of wire ties.



To fully disengage the ARMS levers, rotate them to a position 90° with respect to the sight body. Place sight onto rail as shown. Close levers to lock sight onto rail.

Figure 2-1 Levers lock sight to MIL-STD 1913 rail.

2.2 ADJUSTING EYE RELIEF

Set the magnification lever to the 6x setting (Figure 2-3).

When viewing through the sight, proper eye relief causes the scene field of view to be a circular and sharp image, see Figure 2-2. It may be necessary to move the optical sight either backwards or forward on the weapon in order to achieve the correct eye relief for the users natural shooting position.

2.4 ZEROING

Detailed zeroing is provided later in this manual. The following procedure is provided for users familiar with optical sight zeroing.

- **For best results, set the magnification to 6x when zeroing!**
- Azimuth zeroing uses the windage screw found at the front of the mount. Rotate the front right windage screw counter clockwise to move the point of impact to the left; clockwise to move to the right. Each click of the windage screw moves the point of impact by one-half MOA (approximately 1/2" at 100 yards). Figure 2-4
- Elevation zeroing uses the elevation dial the bottom rear of the mount. Unlock the zeroing lock (silver tab) by raising it up as far as it will go. **Be sure that the lock pin at the bottom of the zeroing lock is fully disengaged from the elevation dial.**
- Adjust the elevation dial as required. Each click of the elevation dial moves the point of impact by one-half MOA (approximately 1/2" at 100 yards). Turn the dial to the **Right to Raise** the point of impact, turn to the **Left to Lower** the point of impact.
- When satisfied with elevation zero, lower the zeroing lock (silver tab) fully to lock the elevation zero at its current setting.

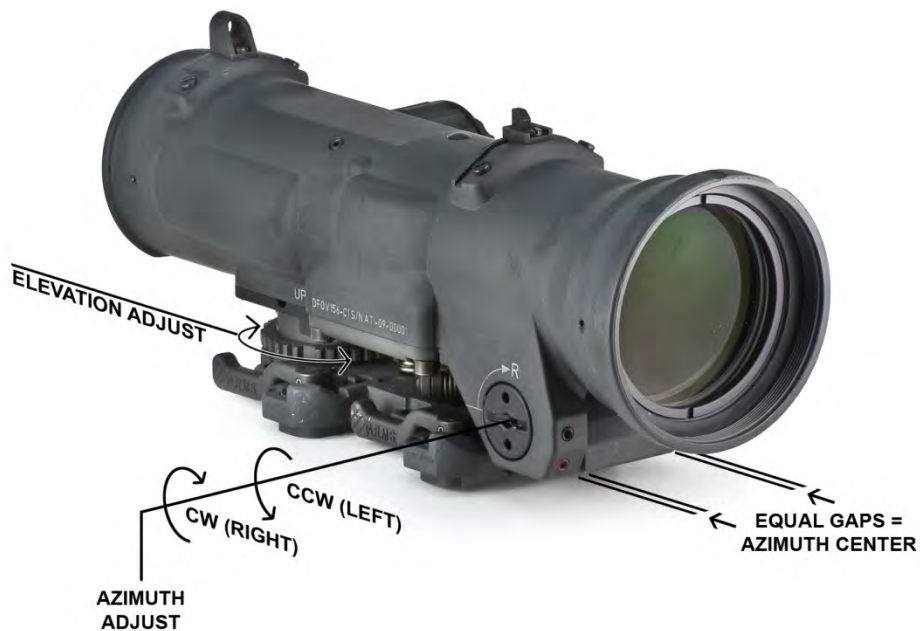
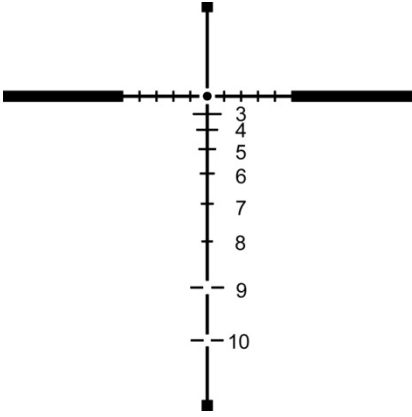
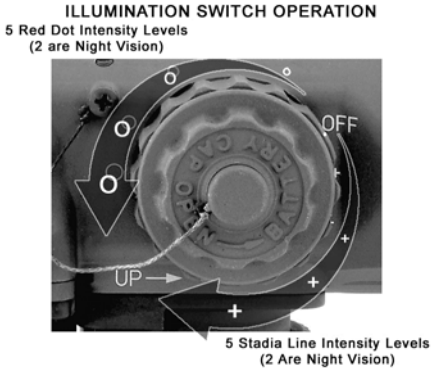


Figure 2-4. Azimuth & Elevation Zeroing Adjusts

2.5 RETICLE ILLUMINATION

The **SpecterDR 1.5x - 6x** provides two reticle modes, see Figure 2-5:
A red dot at the centre of the crosshairs
A Range Estimating and Drop Compensation Reticle

Each reticle mode has multiple brightness settings that are set by the Illumination switch (rotary) on the left side of the sight, Figure 2-6.

	
<p>Figure 2-5 Illuminated Ballistic Reticle and Red Dot.</p>	<p>Figure 2-6 Rotate the Illumination switch to desired reticle brightness setting.</p>

2.6 TARGETING MODES

The **SpecterDR 1.5x - 6x** provides four ways of targeting for maximum flexibility:

1. **“CQB”** – 1.5x Magnification with a 6 MOA illuminated red dot.
2. **“Long Range Red Dot”** – 6x Magnification with a 1.5 MOA illuminated red dot.
3. **“Long Range Crosshair”** – 6x Magnification with an illuminated ballistically compensated reticle.
4. **“Iron Sight”** – Direct fire back up iron sight for heavy rain and emergency defense.

2.7 CHANGING THE BATTERY

To change the battery, remove the battery cover by gripping the smaller diameter fluted section of the Illumination Switch and rotating counter clockwise until the cover is removed. Place a new 1/3N Lithium battery into the compartment with the “+” terminal facing out.

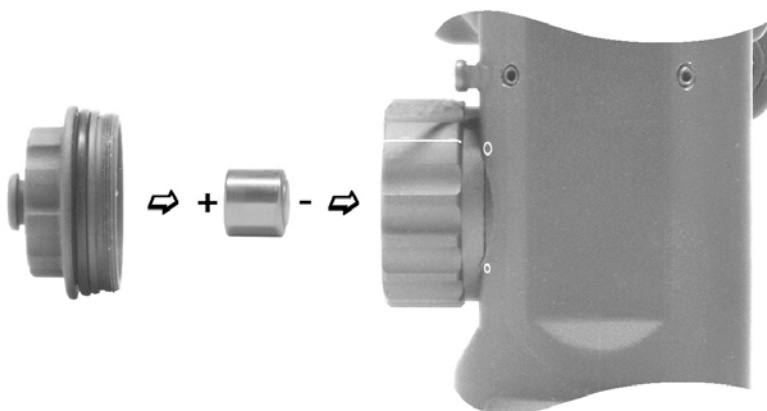


Figure 2-7 Battery replacement

CHAPTER 3

DETAILED OPERATION

3.1 General

The following procedures are used to operate the **SpecterDR 1.5x - 6x** optical sight.

3.2 Installation

Before installing the sight, be sure the weapon is unloaded.

To install the optical sight proceed as follows:

Ensure that the sight is in 6X magnification mode. Assume the normal firing position. Loosen the mount levers until they are perpendicular to the body of the sight.

Place the sight on top of the rail (but not into a rail notch) and slide the sight along the rail to find the position where a full field of view is visible through the sight (approximately 2.75 inches of eye relief) by a minimizing of the tunnel effect of the field of view. Note the position of the sight on the rail.

NOTE: A common mounting position on a M4 Carbine or M16 Rifle receiver is with 3 slots visible in front of the sight.

Mount the optical sight on the rail at the closest match of mount slot bar and rail slots. Push the sight to the forward most position within the slot. Tighten the mount levers in towards the sight body until they are parallel to the sight body.

For extra mounting security, the mount provides slots to accommodate plastic or wire tie wraps so that the levers can be locked into their closed position.

The sight is now mounted on the weapon.

3.3 Method of Adjustment

The optical sight now has to be zeroed to align the point of aim with the point of impact of the bullet.

Azimuth zeroing adjustments are performed by placing a flat tip screwdriver, dog tag, cartridge case or coin into the windage screw and rotating the screw clockwise or counter clockwise.

The Elevation Adjust at the back of the mount, under the eyepiece. A lock (silver tab) must be disengaged (lifted up) to adjust the elevation zero. This lock should always be engaged (pushed down) when not zeroing. **It is very important that the lock be fully disengaged (all the way up) before the elevation adjustment dial is turned.**

3.4 Dry Zeroing or Initial Alignment

Initial adjustment of the optical axis is required so that it is in rough alignment with the bore axis of the weapon. This will make zeroing easier to accomplish. There are two simple ways to accomplish a rough zero that will provide a good starting place for live fire zeroing.

3.4.1 Dry zero the optical sight as follows:

3.4.1.1 WINDAGE: Adjust the azimuth adjust until the gaps between the mount base and the optical housing forks are equal.

3.4.1.2 ELEVATION: Disengage the elevation zero lock by pushing it up.

Ensure that the lock is fully disengaged from the elevation dial.

3.4.1.3 Rotate the range dial clockwise or counter clockwise until the main housing and clamping plate are approximately parallel.

3.4.1.4 Re-engage the zero lock by moving it back down fully.

Zeroing should be performed in 6x Magnification at 100 meters. It is recommended that the marksman fires three-round groups and make adjustments based upon the estimated geometric centre of those groups.

3.5 Zeroing (Figure 3-1, 3-2) The process for zeroing is depicted in the following illustrations and descriptions.

3.5.1 To move the MPI (Mean Point of Impact) to the left, rotate the windage shaft counter clockwise. To move the MPI (Mean Point of Impact) to the right, rotate the windage shaft clockwise.

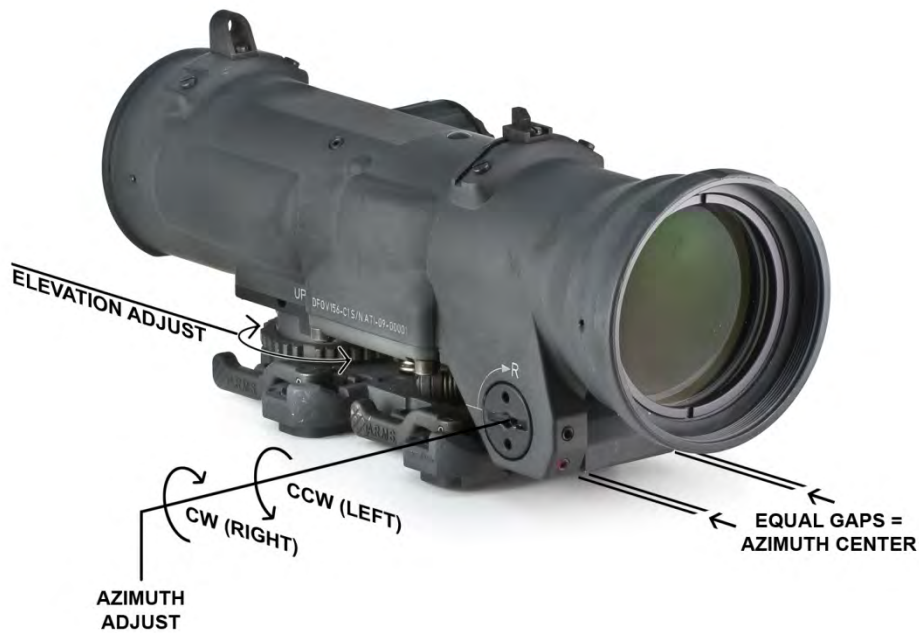


Figure 3-1. Azimuth (Windage) Zeroing Adjustment

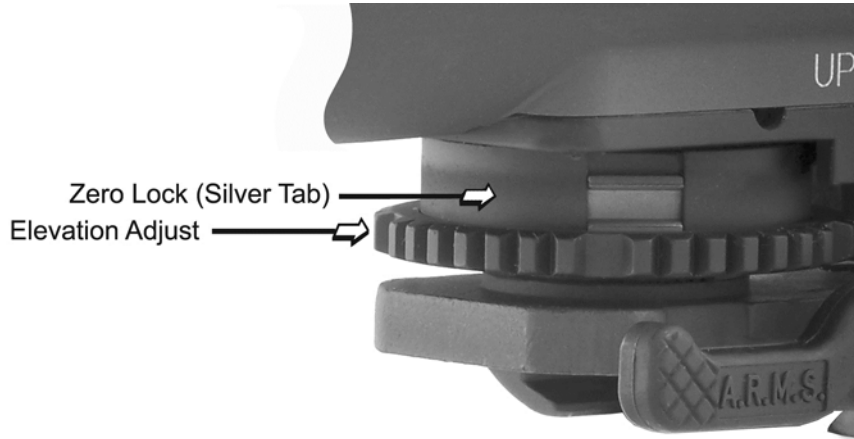


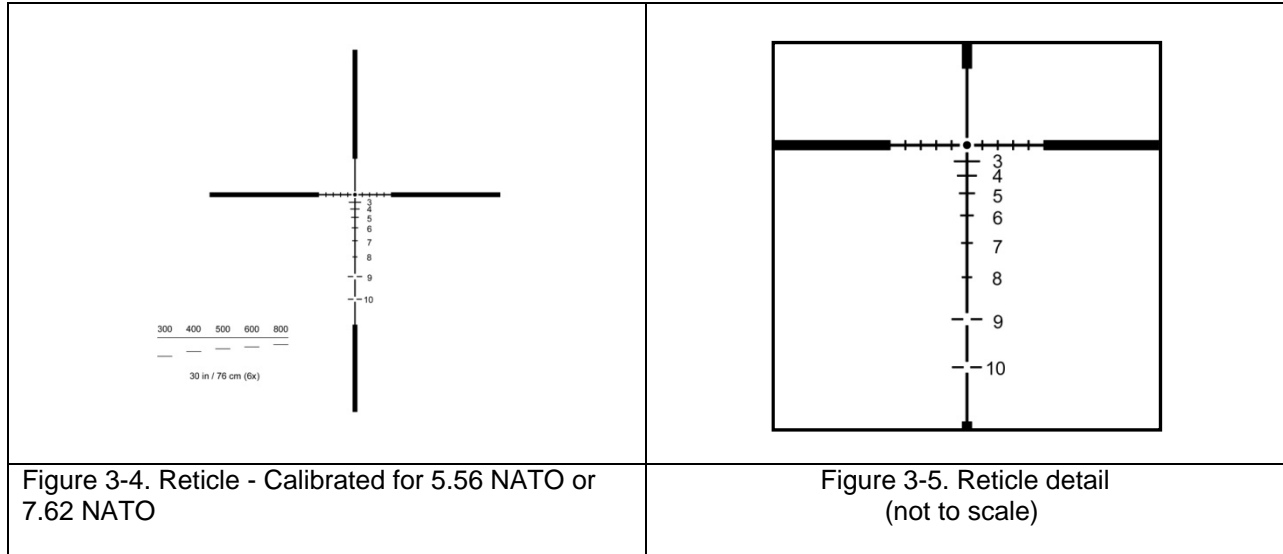
Figure 3-2 Elevation Zeroing Adjustment

3.5.2 To Zero Elevation; Disengage the elevation zero lock by lifting it up. **Be sure that the lock pin is fully disengaged from the elevation zeroing dial.** The elevation adjust will now rotate. With the lock disengaged, rotate the elevation zeroing dial to the left to move the MPI down; or to the right to move the MPI up.

RANGE IN METRES	MPI MOVEMENT IN mm PER CLICK OF ADJUSTMENT	MPI MOVEMENT IN INCHES PER CLICK OF ADJUSTMENT
	AZIMUTH or ELEVATION (½ MOA)	AZIMUTH or ELEVATION (½ MOA)
25	4	0.1
50	7	0.3
100	15	0.6
200	29	1.1
300	44	1.7
400	58	2.3
500	73	2.9
600	87	3.4
700	102	4.0
800	116	4.6

Table 3-3 MPI Movements for each Click of Sight Adjustment

3.6 RETICLE AND RANGING



The reticle of the Optical Sight provides the shooter with easily located aiming marks to designate the target at both short and long ranges.

3.6.1 The main horizontal line is intended to provide a reference to the marksman. This main horizontal line also coincides with the 100 meter aiming point. This reticle pattern is designed to be zeroed at 100 meters.

3.6.2 A red dot aiming point is placed at the reticle crosshair centre. This aiming point is designed for use during for direct fire at either the 1.5x or 6x optical power settings. This dot is 1.5 MOA in diameter at 6x magnification, and 6 MOA in diameter at 1.5x magnification.

3.6.3 When using the 6x magnification, the ballistic reticle provides aiming marks for various extended ranges. Most ranges are labelled beside the aiming mark. To assist in sight picture clarity, a 200m aiming mark has been omitted. At each range, the width of the horizontal aiming mark represents 19" on the target.

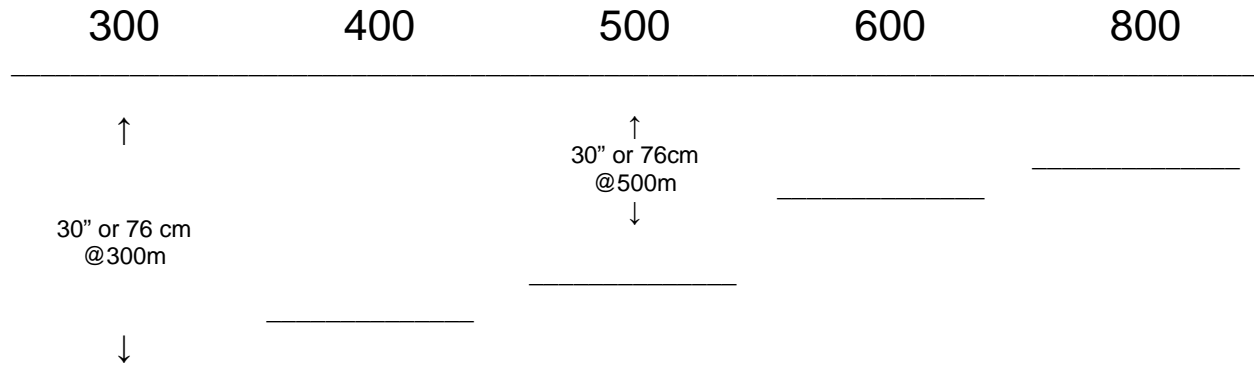


Figure 3.6 VSOR Rangefinder

3.6.4 Use of the VSOR Rangefinder

The Vertical Subtention Optical Rangefinder (VSOR) allows the marksman to estimate the distance to targets by matching the height of a known object within the field of view. The vertical distance for range estimation is 76 centimeters or 30 inches. By selecting the set of rangefinder lines that best fit a 30 inch or 76 cm object, the marksman may read the correct range at the top of the rangefinder. Once the range is known, the marksman may engage targets at that range by aiming from the appropriate ballistic aiming mark in the reticle.

CHAPTER 4

MAINTENANCE

4.1 Care And Cleaning

To clean the lenses, use lens paper or clean optical quality cleaning cloth. Wipe in a circular motion using light pressure. Should these materials not be available, a clean cotton cloth moistened with alcohol will suffice.

CAUTION

DO NOT use fingers to clean lenses. Apply only a light downward pressure on the cleaning material.

DO NOT immerse the SpecterDR sight in solvents.
DO NOT use hot water to clean the sight.

If mud or hardened dirt are on or near the lens. Flush with cold or warm water and gently wipe with a moistened tissue. Repeat the procedure above if necessary.

ARMAMENT TECHNOLOGY INCORPORATED
3045 ROBIE STREET, SUITE 113
HALIFAX NS B3K 4P6 CANADA
sales@armament.com
www.armament.com

Proprietary Notice

This document contains information that is proprietary to Armament Technology Incorporated. This information remains the property of the Company and shall not be reproduced, used or disclosed in any manner or for any purpose not authorized in writing by the Company.